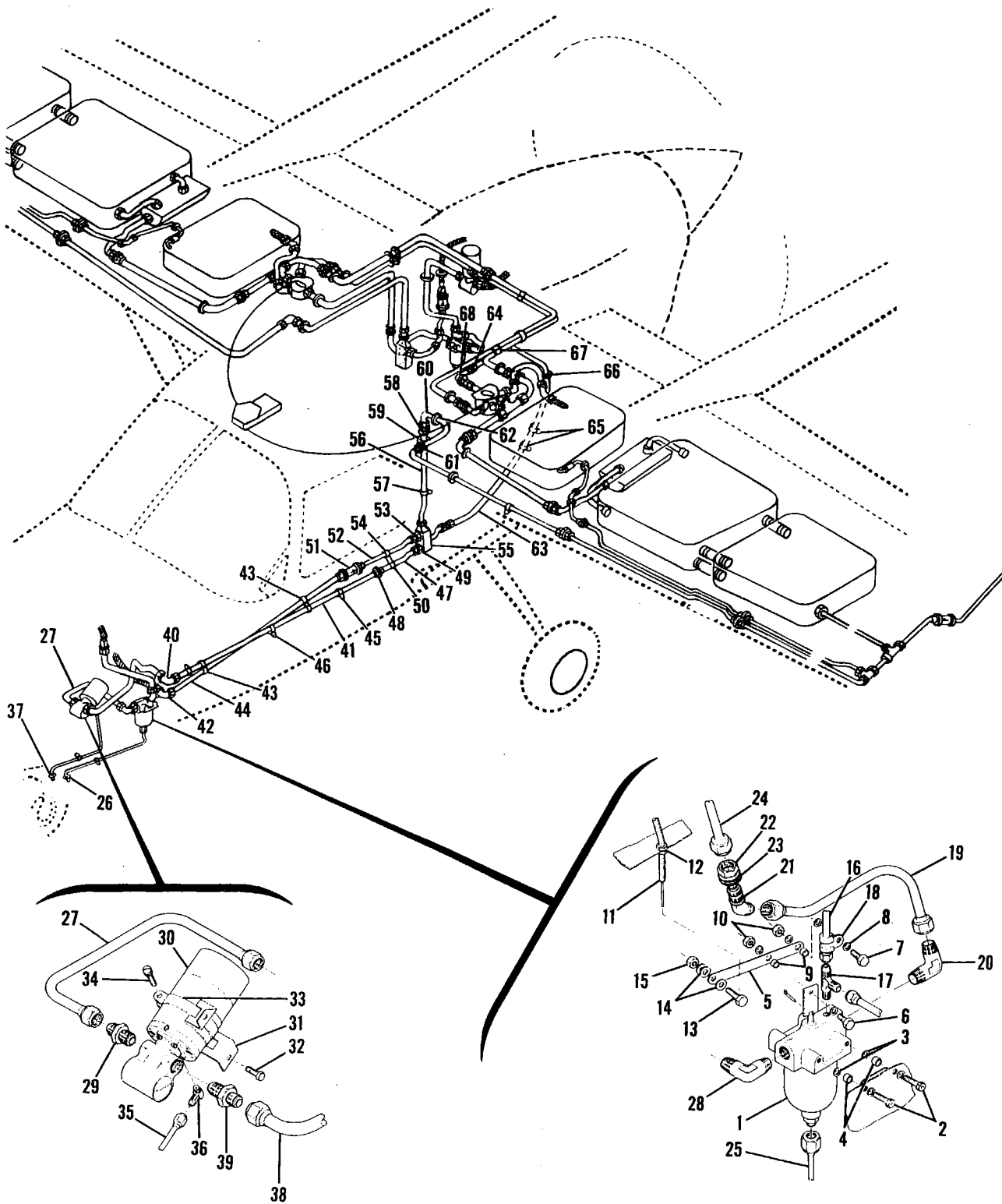


FIGURE AND INDEX NO.	PART NUMBER	DESCRIPTION	UNITS PER ASSY	USABLE ON CODE
		<b>1 2 3 4 5 6 7</b>		
103A-		FUEL SYSTEM INSTALLATION-FRONT ENGINE TO FUSELAGE ROOT -----	NP	A
- 1	SEE FIG 106	STRAINER ASSEMBLY-FUEL -----	1	
		ATTACHING PARTS -----		
- 2	MS20074-03-6	BOLT -----	2	
- 3	AN960-10L	WASHER -----	4	
- 4	NAS43HT3-10	SPACER -----	2	
		-----*		
- 5	1550013-2	DRAIN LEVER -----	1	
		ATTACHING PARTS -----		
- 6	AN3-3A	BOLT -----	1	
- 7	AN3-4A	BOLT -----	1	
- 8	AN960-3	WASHER -----	5	
- 9	NAS43HT3-6	SPACER -----	2	
-10	NAS679A3	NUT -----	2	
		-----*		
-11	S1239-26	CONTROL ASSEMBLY-STRAINER DRAIN -----	1	
		ATTACHING PARTS -----		
-12	S1283-1	NUT -----	2	
-13	0450311-3	CLAMP -----	1	
-14	AN960-416	WASHER -----	3	
-15	NAS679A4	NUT -----	1	
		-----*		
-16	1500104-52	LINE ASSEMBLY STRAINER TO PRIMER -----	1	
		ATTACHING PARTS -----		
-17	MS20826-4D	TEE -----	1	
-18	MS21919DG4	CLAMP -----	1	
		-----*		
-19	1500104-47	LINE ASSEMBLY-FUEL PUMP STRAINER TO FUEL PUMP HOSE -----	1	
		ATTACHING PARTS -----		
-20	MS20822-6-6D	ELBOW -----	1	
-21	AN837-6D	ELBOW -----	1	
-22	AN924-6D	NUT -----	1	
-23	AN960D916	WASHER -----	2	
		-----*		
-24	1500104-11	HOSE ASSEMBLY-FUEL PUMP ELBOW TO FUEL PUMP -----	1	
-25	1500106-240	LINE ASSEMBLY-STRAINER DRAIN -----	1	
		ATTACHING PARTS -----		
	AN742D3	CLAMP -----	1	
	AN520-10R10	SCREW -----	1	
	NAS679A3	NUT -----	1	
-26	MS35489-4	GROMMET -----	1	
		-----*		
-27	1500104-46	LINE ASSEMBLY STRAINER TO AUX. FUEL PUMP -----	1	
		ATTACHING PARTS -----		
-28	MS20822-6-6D	ELBOW -----	1	
-29	AN815-6D	UNION -----	1	
		-----*		
-30	1426033-3	FUEL PUMP-AUXILIARY -----	1	
		ATTACHING PARTS -----		
-31	1516001-1	MOUNTING BRACKET-FUEL PUMP -----	1	
-32	AN3-5A	BOLT -----	2	
	AN960-10L	WASHER -----	2	
	NAS679A3	NUT -----	2	
-33	AN735D40	CLAMP -----	1	
-34	AN520-10R8	SCREW -----	1	
	AN960-10L	WASHER -----	1	
	NAS679A3	NUT -----	1	
		-----*		
-35	1500104-66	LINE ASSEMBLY-FUEL PUMP DRAIN -----	1	
		ATTACHING PARTS -----		
-36	TF10052	ELBOW TUFC -----	1	
	AN742D3	CLAMP -----	1	
	AN3-4	BOLT -----	1	
	NAS679A3	NUT -----	1	
-37	MS35489-4	GROMMET -----	1	
		-----*		
-38	1500104-45	LINE ASSEMBLY-MAIN FUEL AUX. FUEL PUMP TO FIREWALL -----	1	B
	1500104-55	LINE ASSEMBLY-MAIN FUEL AUX. FUEL PUMP TO FIREWALL -----	1	C
		ATTACHING PARTS -----		
-39	AN919-9D	REDUCER -----	1	
-40	AN833-4D	ELBOW -----	1	
	AN924-4D	NUT -----	1	
	AN960-716	WASHER -----	1	
	MS35489-4	GROMMET -----	1	
		-----*		

CONTINUED ON NEXT PAGE

Fuel System (Cont)



**T337 SERIAL 337-0569 & ON**

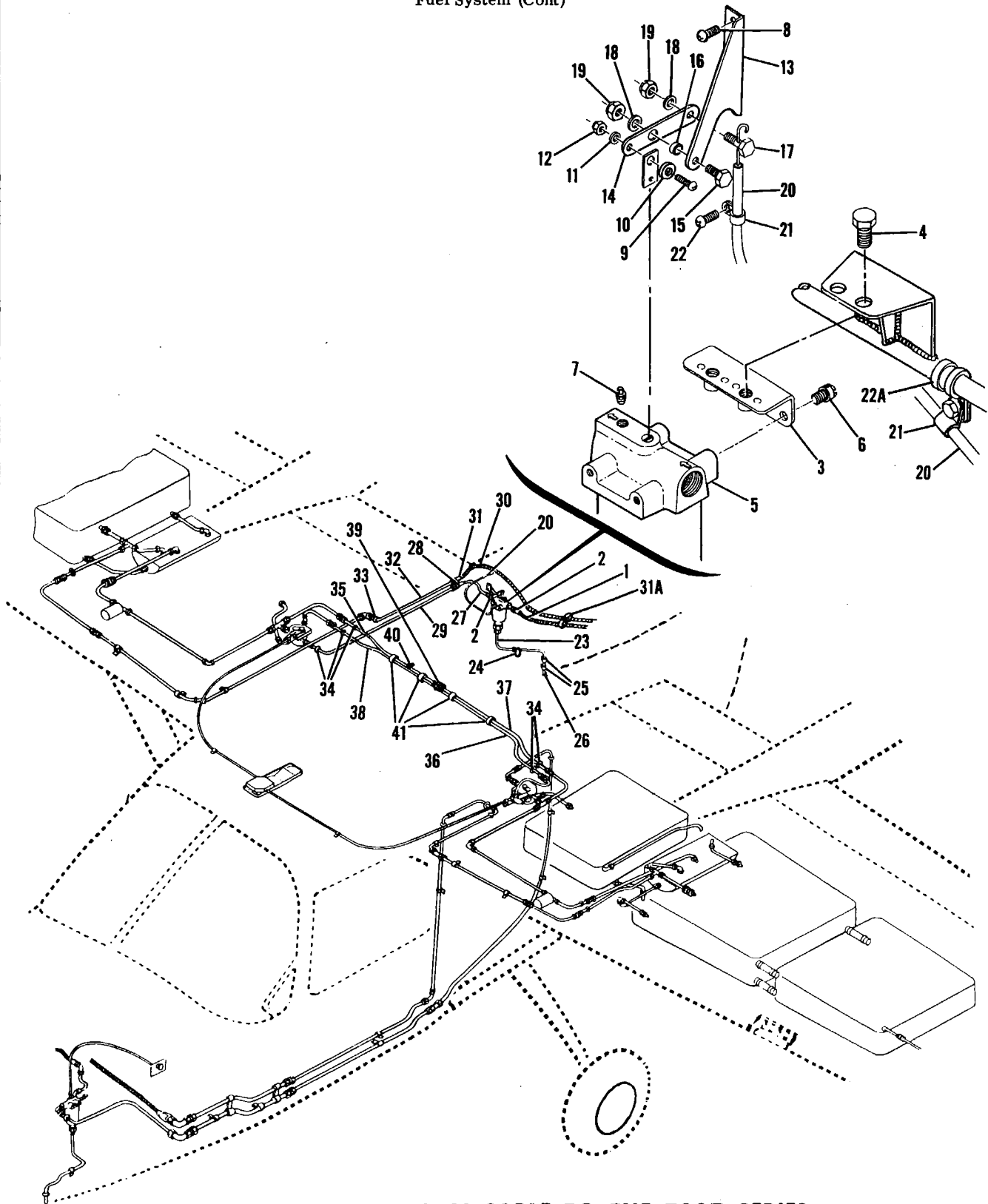
Figure 103A. Front Engine To Fuselage Root Fuel System Installation

FIGURE AND INDEX NO.	PART NUMBER	DESCRIPTION							UNITS PER ASSY	USABLE ON CODE	
		1	2	3	4	5	6	7			
103A-41	1500106-104 1500104-222	LINE ASSEMBLY-VAPOR RETURN	FIREWALL TO CHECK VALVE				----	1	B		
		LINE ASSEMBLY-VAPOR RETURN	FIREWALL TO CHECK VALVE				----	1	C		
		ATTACHING PARTS									
-42	AN833-80	ELBOW	-----							1	
	AN924-80	NUT	-----							1	
	AN960PD1216	WASHER	-----							2	
-43	MS21919DG4	CLAMP	-----							2	
	AN520-10R8	SCREW	-----							2	
	AN960-10L	WASHER	-----							2	
	NAS679A3	NUT	-----							2	
		-----*									
-44	1500104-14 1500104-56	LINE ASSEMBLY-MAIN FUEL	FIREWALL TO UNION				----	1	B		
		LINE ASSEMBLY-MAIN FUEL	FIREWALL TO UNION				----	1	C		
		ATTACHING PARTS									
-45	MS21919DG6	CLAMP	-----							2	
	S1021Z8-8	SCREW	-----							2	
	A5980-8Z3	CLIP-SUPPORT	TIN	-----						2	
-46	MS21919DG6	CLAMP	-----							2	
	AN520-10R8	SCREW	-----							2	
	AN960-10L	WASHER	-----							2	
	NAS679A3	NUT	-----							2	
		-----*									
-47	1500104-2	LINE ASSEMBLY-MAIN FUEL	UNION TO MANIFOLD ASSEMBLY				----	1			
		ATTACHING PARTS									
-48	AN815-60	UNION	-----							1	
-49	AN924-80	NUT	-----							1	
	AN960PD1216	WASHER	-----							1	
-50	MS21919DG8	CLAMP	-----							1	
	S1021Z8-8	SCREW	-----							1	
	A5980-8Z3	CLIP-SUPPORT	TIN	-----						1	
		-----*									
-51	0850375-1	CHECK VALVE	-----							1	
-52	1500104-8	LINE ASSEMBLY-VAPOR RETURN	CHECK VALVE TO MANIFOLD ASSY				----	1			
		ATTACHING PARTS									
-53	AN924-40	NUT	-----							1	
	AN960PD716	WASHER	-----							1	
-54	MS21919DG4	CLAMP	-----							1	
	S1021Z8-8	SCREW	-----							1	
	A5980-8Z3	CLIP-SUPPORT	TIN	-----						1	
		-----*									
-55	1526003-1	MANIFOLD ASSEMBLY	-----							1	
-56	1500104-3	LINE ASSEMBLY-VAPOR RETURN	MANIFOLD ASSY TO UNION				----	1			
		ATTACHING PARTS									
-57	MS21919DG6	CLAMP	-----							1	
	S1021Z8-8	SCREW	-----							1	
	A5980-8Z3	CLIP-SUPPORT	TIN	-----						1	
-58	AN815-60	UNION	-----							1	
-59	MS35489-14	GROMMET	-----							1	
		-----*									
-60	1500104-4	LINE ASSEMBLY-VAPOR RETURN	VENT FUS TO WING				----	1			
		ATTACHING PARTS									
-61	AN815-60	UNION	-----							1	
-62	MS35489-14	GROMMET	-----							1	
		-----*									
-63	1500104-9	LINE ASSEMBLY-MAIN FUEL	MANIFOLD ASSEMBLY TO UNION				----	1			
		ATTACHING PARTS									
-64	AN815-80	UNION	-----							1	
-65	MS21919DG8	CLAMP	-----							2	
	S1021Z6-8	SCREW	-----							2	
	NAS446-2	NUT	-----							2	
-66	35489-19	GROMMET	-----							1	
-67	S1050-2	GROMMET-* IN LG	BULK ITEM	REF S1050-2-*			----	4			
		-----*									
-68	1500104-19	LINE ASSEMBLY-MAIN FUEL	UNION TO VALVE ASSEMBLY				----	1			

NOTE. \*LENGTH TO BE DETERMINED LATER

A---T337 SERIAL 337-0569 & CN  
 B---T337 SERIAL 337-0569 THRU 337-0677  
 C---T337 SERIAL 337-0678 & CN

Fuel System (Cont)



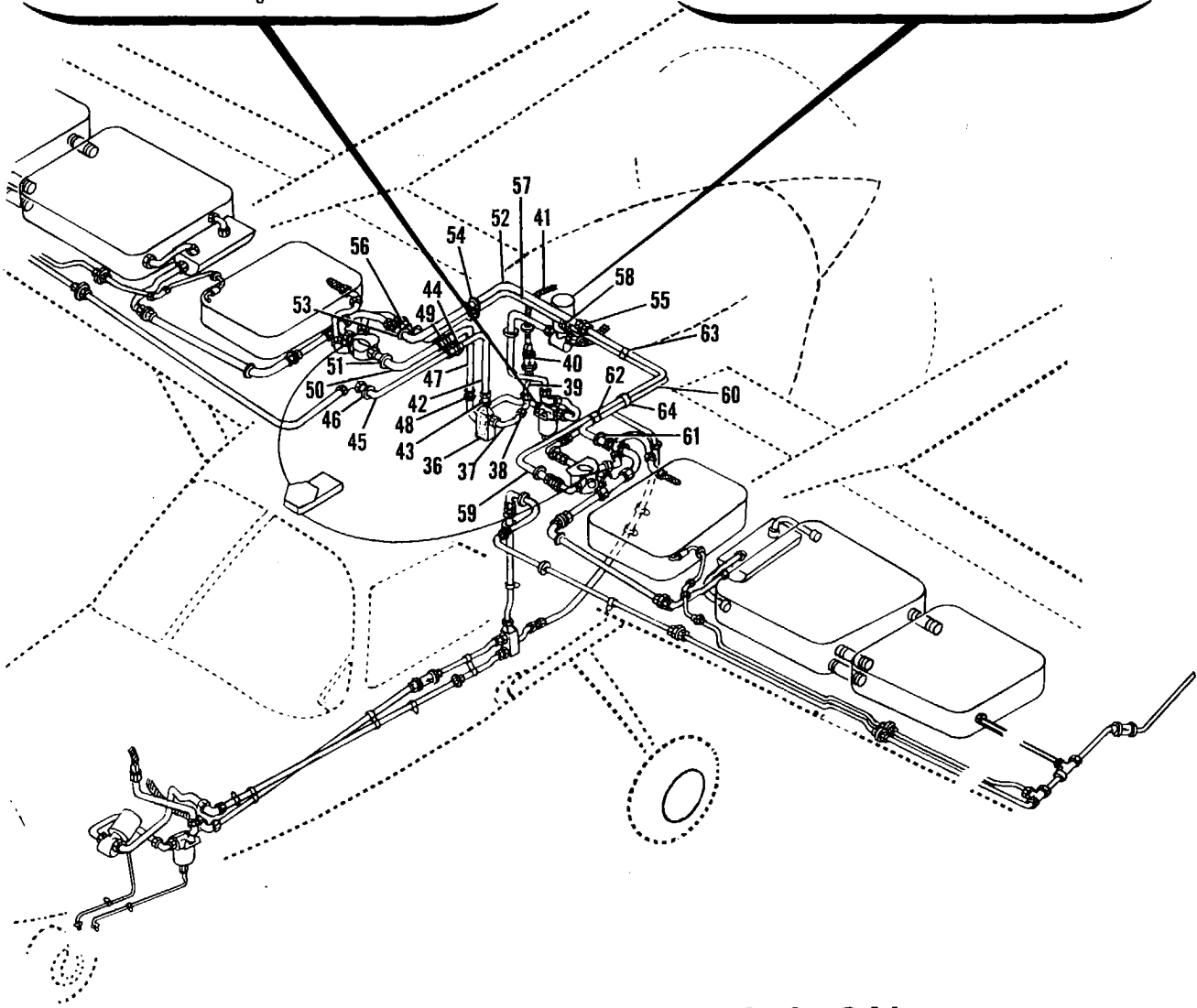
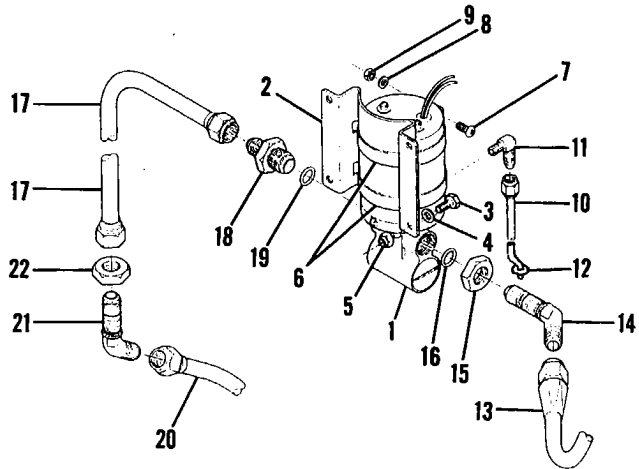
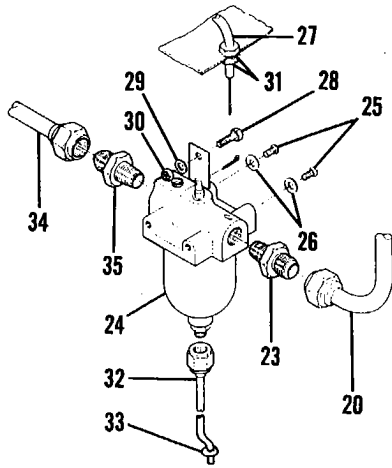
**THIS FIGURE NOT APPLICABLE TO THE T337 SERIES**

Figure 104. Rear Firewall to Root Rib Fuel System Installation

FIGURE AND INDEX NO.	PART NUMBER	DESCRIPTION	UNITS PER ASSY	USABLE ON CODE
		<b>1 2 3 4 5 6 7</b>		
104 -		FUEL SYSTEM INSTALLATION-FUSELAGE REAR FIREWALL TO ROOT RIB ---	NP	
- 1	S1167-6-0450	HOSE ASSEMBLY-MAIN FUEL STRAINER TO FUEL PUMP ----	1	
- 2	AN816-6-6	NIPPLE -----	2	
- 3	1550007-1	BRACKET ASSEMBLY ----- ATTACHING PARTS	1	
- 4	AN4-3A	BOLT ----- *-----	2	
- 5	SEE FIG 106	STRAINER ASSEMBLY-FUEL ----- ATTACHING PARTS	1	
- 6	MS20074-03-3	BOLT ----- *-----	2	
- 7	MS20913-1 1550011-1	PLUG-PIPE ----- ACTUATOR ASSEMBLY-REAR ENGINE FUEL FILTER ----- ATTACHING PARTS	1 1	
- 8	AN520-10R8	SCREW -----	2	
- 9	AN515-6R8	SCREW -----	1	
-10	NAS43DD1-7	SPACER -----	1	
-11	AN960-6	WASHER -----	1	
-12	NAS679A06	NUT ----- *-----	1	
-13	1550011-2	BRACKET-ACTUATOR -----	1	
-14	1550011-3	LEVER-ACTUATOR -----	1	
-15	AN3-3A	BOLT -----	1	
-16	NAS43HT3-8	SPACER -----	1	
-17	0450311	CLAMP -----	1	
-18	AN960-10L	WASHER -----	2	
-19	NAS679A3	NUT -----	2	
-20	S1239-27	CONTROL ASSEMBLY-STRAINER DRAIN -----	1	
-21	AN742D3 AN742D3	CLAMP ----- CLAMP -----	1 2	A
-22	AN520-10R8	SCREW -----	1	B
-22A	MS21919DG8 AN3-7A	CLAMP ----- BOLT -----	1 1	B
-23	NAS679A3 1500106-165	NUT ----- LINE ASSEMBLY-STRAINER DRAIN ----- ATTACHING PARTS	1 1	B
-24	AN742D3 AN742D14 AN520-10R8 NAS679A3	CLAMP ----- CLAMP ATTACH TO MOTOR MOUNT ----- SCREW ----- NUT -----	1 1 1 1	B
-25	AN742D3 AN520-10R8 NAS679A3	CLAMP ----- SCREW ----- NUT -----	2 2 2	B
-26	NAS557-4	*----- GROMMET -----	1	
-27	1500106-147	LINE ASSEMBLY-MAIN FUEL STRAINER TO FIREWALL -----	1	
-28	AN837-6D  AN960-916 AN924-6D	ELBOW ----- ATTACHING PARTS WASHER ----- NUT ----- *-----	1 1 1 1	
-29	1400106-163	LINE ASSEMBLY-MAIN FUEL FIREWALL TO VALVE -----	1	
-30	S1236-4-0580	HOSE ASSEMBLY-VAPOR RETURN FUEL PUMP TO FIREWALL -----	1	
-31	AN837-4D  AN960-716 AN924-4D	ELBOW ----- ATTACHING PARTS WASHER ----- NUT ----- *-----	1 1 1 1	
-31A	MS21919DG7 MS21919DG10 AN3-7A NAS679A3	CLAMP ----- CLAMP ----- BOLT ----- NUT -----	1 1 1 1	
-32	1500106-93	LINE ASSEMBLY-VAPOR RETURN FIREWALL TO FUSELAGE ROOT -----	1	
-33	MS35489-7	GROMMET -----	1	
-34	MS35489-12	GROMMET -----	5	
-35	1500106-95	LINE ASSEMBLY-CROSS FEED FROM RH TANK TO UNION -----	1	
-36	1500106-96	LINE ASSEMBLY-CROSS FEED FROM UNION TO LH FUEL VALVE -----	1	
-37	1500106-97	LINE ASSEMBLY-CROSS FEED FROM LH TANK TO UNION -----	1	
-38	1500106-98	LINE ASSEMBLY-CROSS FEED FROM UNION TO RH FUEL VALVE -----	1	
-39	AN815-6D	UNION USED BETWEEN -95, -96 & -97, -98 -----	1	
-40	AN520-10R16 NAS43DD3-32 AN742D6	SCREW ----- SPACER ----- CLAMP -----	1 1 1	

A---337 SERIAL 337-0001 THRU 337-1045  
B---337 SERIAL 337-1046 & ON

Fuel System (Cont)



**T337 SERIAL 337-0569 & ON**

Figure 104A. Rear Firewall To Root Rib Fuel System Installation

FIGURE AND INDEX NO.	PART NUMBER	DESCRIPTION	UNITS PER ASSY	USABLE ON CODE
		<b>1 2 3 4 5 6 7</b>		
104A-		FUEL SYSTEM INSTALLATION-FUSELAGE REAR FIREWALL TO ROOT RIB ---	NP	A
- 1	1426033-3	FUEL PUMP-AUXILIARY -----	1	
		ATTACHING PARTS		
		<b>T337 SERIAL</b>		
		<b>337-0569 &amp; ON</b>		
- 2	1426026-1	MOUNTING BRACKET -----	1	
- 3	AN3-4A	BOLT -----	4	
- 4	AN960-10L	WASHER -----	4	
- 5	NAS679A3	NUT -----	4	
- 6	AN735D40	CLAMP -----	2	
- 7	AN520-10R8	SCREW -----	2	
- 8	AN960-10L	WASHER -----	2	
- 9	NAS679A3	NUT -----	2	
		*---		
-10	1500104-65	LINE ASSEMBLY-FUEL PUMP DRAIN -----	1	
		ATTACHING PARTS		
-11	TF10052	ELBOW TUFC -----	1	
	AN742D3	CLAMP -----	1	
	AN3-4	BOLT -----	1	
	NAS679A3	NUT -----	1	
-12	MS35489-4	GROMMET -----	1	
		*---		
-13	S1167-6-0430	HOSE ASSEMBLY -----	1	
	S1167-6-0120	HOSE ASSEMBLY USED WITH OIL DILUTION & DEICE -----	1	B
		ATTACHING PARTS		
-14	AN837-6D	ELBOW -----	1	
	AN833-6D	ELBOW USED WITH OIL DILUTION & DEICE -----	1	B
-15	AN924-6D	NUT -----	1	
-16	MS29512-06	GASKET -----	1	
		*---		
-17	1500104-11	LINE ASSEMBLY -----	1	
	SEE FIG 108	LINE ASSEMBLY FUEL PUMP DRAIN USED WITH -----	1	
		OIL DILUTION SYSTEM ONLY		
		ATTACHING PARTS		
-18	AN919-12D	REDUCER -----	1	
-19	MS29512-06	GASKET -----	1	
	MS35489-19	GROMMET -----	1	
		*---		
-20	1500104-12	LINE ASSEMBLY -----	1	
		ATTACHING PARTS		
-21	AN837-8D	ELBOW -----	1	
-22	AN924-8D	NUT -----	1	
-23	AN816-8D	NIPPLE -----	1	
		*---		
-24	0756005-3	FUEL STRAINER ASSEMBLY -----	1	
		ATTACHING PARTS		
-25	AN515-10R6	SCREW -----	2	
-26	AN960-P10L	WASHER -----	2	
		*---		
-27	S1239-28	CONTROL-STRAINER -----	1	
		ATTACHING PARTS		
-28	0450311-3	CLAMP -----	1	
-29	AN960-416	WASHER -----	2	
-30	NAS679A4	NUT -----	1	
-31	S1283-1	NUT -----	2	
	AN742D10	CLAMP ATTACH TO ENGINE MOUNT -----	1	
	AN742D3	CLAMP ATTACH TO STRAINER CONTROL -----	1	
	AN520-8R8	SCREW -----	1	
	NAS679A3	NUT -----	1	
		*---		
-32	1500104-64	LINE ASSEMBLY-STRAINER DRAIN -----	1	
		ATTACHING PARTS		
	AN742D3	CLAMP -----	1	
	AN520-10R10	SCREW -----	1	
	NAS679A3	NUT -----	1	
-33	NAS557-4A	GROMMET -----	1	
		*---		
-34	1500104-6	LINE ASSEMBLY -----	1	
		ATTACHING PARTS		
-35	AN816-8D	NIPPLE -----	1	
		*---		

CONTINUED ON NEXT PAGE

FIGURE AND INDEX NO.	PART NUMBER	DESCRIPTION							UNITS PER ASSY	USABLE ON CODE
		1	2	3	4	5	6	7		
104A-36	1526004-1	MANIFOLD ASSEMBLY -----							1	
		ATTACHING PARTS -----								
	NAS220-6	SCREW -----							1	
	AN960P10L	WASHER -----							1	
	NAS679A3	NUT -----							1	
		---*---								
-37	1500104-10	LINE ASSEMBLY -----							1	
		ATTACHING PARTS -----								
-38	AN833-4D	ELBOW -----							1	
	AN924-4D	NUT -----							1	
		---*---								
-39	1500104-1	LINE ASSEMBLY -----							1	
-40	0850375-1	CHECK VALVE -----								
	0850375-5	CHECK VALVE ALT -----							1	
-41	S1236-4-0580	HOSE ASSEMBLY -----							1	
		ATTACHING PARTS -----								
	S1050-1-2-31	GROMMET -----							1	
		---*---								
-42	1500104-51	LINE ASSEMBLY -----							1	
		ATTACHING PARTS -----								
-43	AN924-6D	NUT -----							1	
-44	AN815-6D	UNION -----							1	
		---*---								
-45	1500104-21	LINE ASSEMBLY -----							1	
		ATTACHING PARTS -----								
-46	MS35489-19	GROMMET -----							1	
		---*---								
-47	1500104-24	LINE ASSEMBLY -----							1	
		ATTACHING PARTS -----								
-48	AN924-8D	NUT -----							1	
-49	AN815-8D	UNION -----							1	
		---*---								
-50	1500104-22	LINE ASSEMBLY -----							1	
		ATTACHING PARTS -----								
-51	MS35489-19	GROMMET -----							1	
		---*---								
-52	1500104-23	LINE ASSEMBLY -----							1	
		ATTACHING PARTS -----								
-53	MS35489-19	GROMMET -----							1	
-54	S1050-2 *	GROMMET-* IN LG BULK ITEM REF S1050-2-* -----							2	
-55	AN815-8D	UNION -----							1	
		---*---								
-56	1500104-44	LINE ASSEMBLY -----							1	
-57	1500104-16	LINE ASSEMBLY -----							1	
		ATTACHING PARTS -----								
	S1050-2 *	GROMMET-* IN LG BULK ITEM REF S1050-2-* -----							2	
-58	AN815-8D	UNION -----							1	
		---*---								
-59	1500104-15	LINE ASSEMBLY -----							1	
-60	1500104-16	LINE ASSEMBLY -----							1	
		ATTACHING PARTS -----								
-61	MS35489-19	GROMMET -----							2	
-62	S1050-2 *	GROMMET-* IN LG BULK ITEM REF S1050-2-* -----							2	
-63	MS21919D68	CLAMP -----							1	
	NAS43DD3-42	SPACER -----							1	
	AN520-10R18	SCREW -----							1	
-64	S1590-4	BAND -----							2	
		---*---								

NOTE. \*LENGTH TO BE DETERMINED LATER

A---T337 SERIAL 337-0569 & ON  
 B---T337 SERIAL 337-1143 & ON