

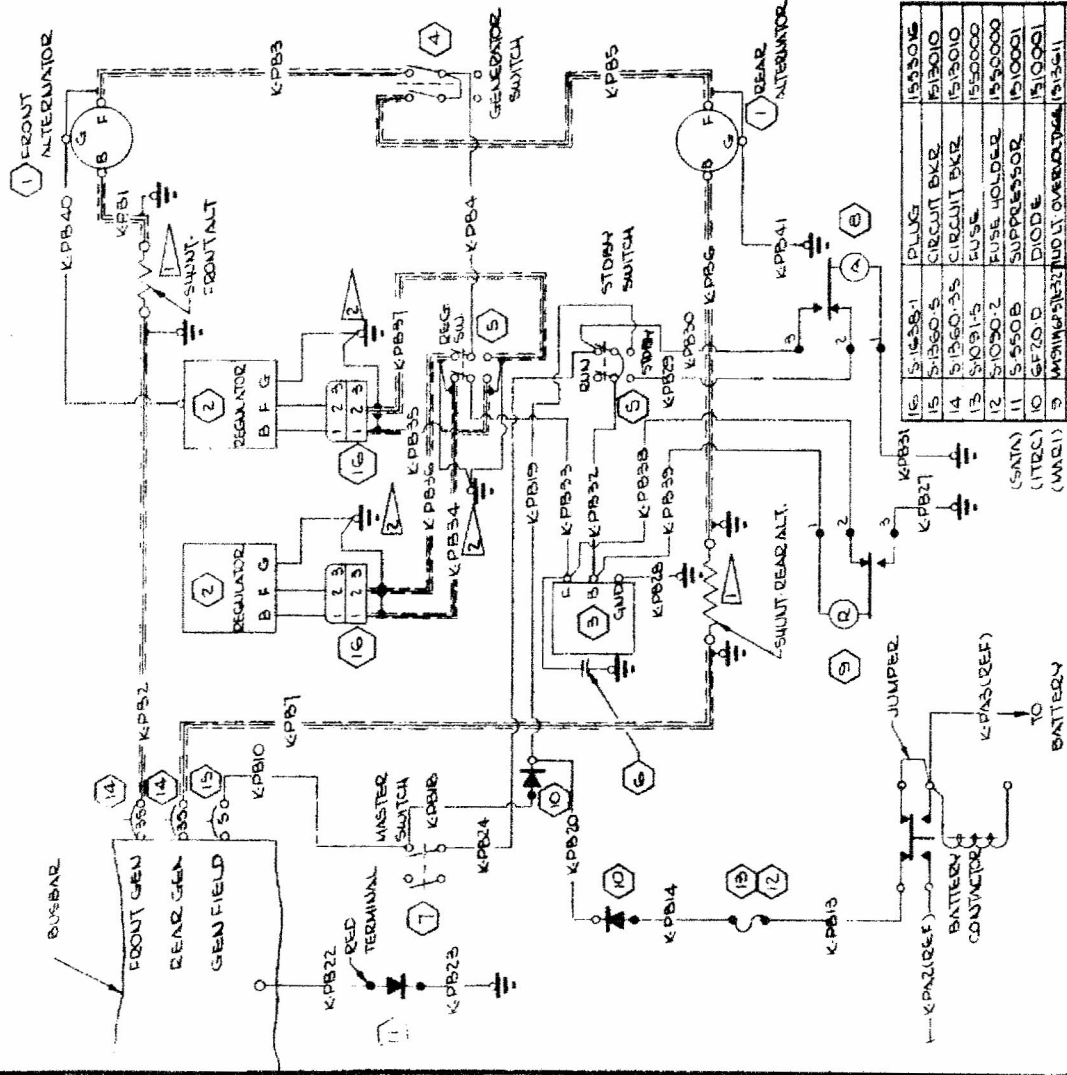
REV. NO.	DATE	BY	CHK

(SR 4820)

REVISION

NOTES:  
 1 REFER TO AMMETER WIRING DIAGRAM FOR SHUNT TO AMMETER CONNECTIONS.  
 2 SHUNT-2-12 TERMINAL ON SHIELDS (TWO SHIELDS IN EACH TERMINAL)

MANUAL  
 1570000  
 1570000  
 1570000



QTY	PART NO.	DESCRIPTION	REMARKS
16	5-1638-1	PLUG	1535016
15	5-1660-5	CIRCUIT BRK	1510010
14	5-1660-35	CIRCUIT BRK	1510010
13	5-1011-5	FUSE	1550000
12	5-1090-2	FUSE HOLDER	1550000
11	5-550B	SUPPRESSOR	1510001
10	5-120-D	DIODE	1510001
9	AMPHIMPHASE DIODE OVERVOLT	DIODE	1515011
8	AMPHIMPHASE DIODE-STANDARD	DIODE	1515011
7	5-1159-1-1	MASTER SWITCH	1510001
6	1VA-1515	CAPACITOR	1510001
5	5-1236-2-1	SWITCH	1510001
4	5-1160-1-1	SWITCH-GENERATOR	1510001
3	15B-3	OVERVOLT RELAY	1510001
2	CG11002-0102	REGULATOR	1550000
1	CG11002-0101	ALTERNATOR	1550000

EQUIPMENT TABLE

QTY	PART NO.	DESCRIPTION	REMARKS
1	KPB41	1510016	SOLDER
1	KPB40	1510016	SOLDER
1	KPB39	1510016	SOLDER
1	KPB38	1510016	SOLDER
1	KPB37	1510016	SOLDER
1	KPB36	1510016	SOLDER
1	KPB35	1510016	SOLDER
1	KPB34	1510016	SOLDER
1	KPB33	1510016	SOLDER
1	KPB32	1510016	SOLDER
1	KPB31	1510016	SOLDER
1	KPB30	1510016	SOLDER
1	KPB29	1510016	SOLDER
1	KPB28	1510016	SOLDER
1	KPB27	1510016	SOLDER
1	KPB26	1510016	SOLDER
1	KPB25	1510016	SOLDER
1	KPB24	1510016	SOLDER
1	KPB23	1510016	SOLDER
1	KPB22	1510016	SOLDER
1	KPB21	1510016	SOLDER
1	KPB20	1510016	SOLDER
1	KPB19	1510016	SOLDER
1	KPB18	1510016	SOLDER
1	KPB17	1510016	SOLDER
1	KPB16	1510016	SOLDER
1	KPB15	1510016	SOLDER
1	KPB14	1510016	SOLDER
1	KPB13	1510016	SOLDER
1	KPB12	1510016	SOLDER
1	KPB11	1510016	SOLDER
1	KPB10	1510016	SOLDER
1	KPB9	1510016	SOLDER
1	KPB8	1510016	SOLDER
1	KPB7	1510016	SOLDER
1	KPB6	1510016	SOLDER
1	KPB5	1510016	SOLDER
1	KPB4	1510016	SOLDER
1	KPB3	1510016	SOLDER
1	KPB2	1510016	SOLDER
1	KPB1	1510016	SOLDER

WIRE TABLE

WIRING DIAGRAM  
 ALTERNATOR SYSTEM  
 36 AMP  
 (CORD ALTERNATOR)

CSsna.  
 1570000

REV. NO. 422  
 DATE 3-14  
 MODEL 1570000  
 PART NO. 1570000