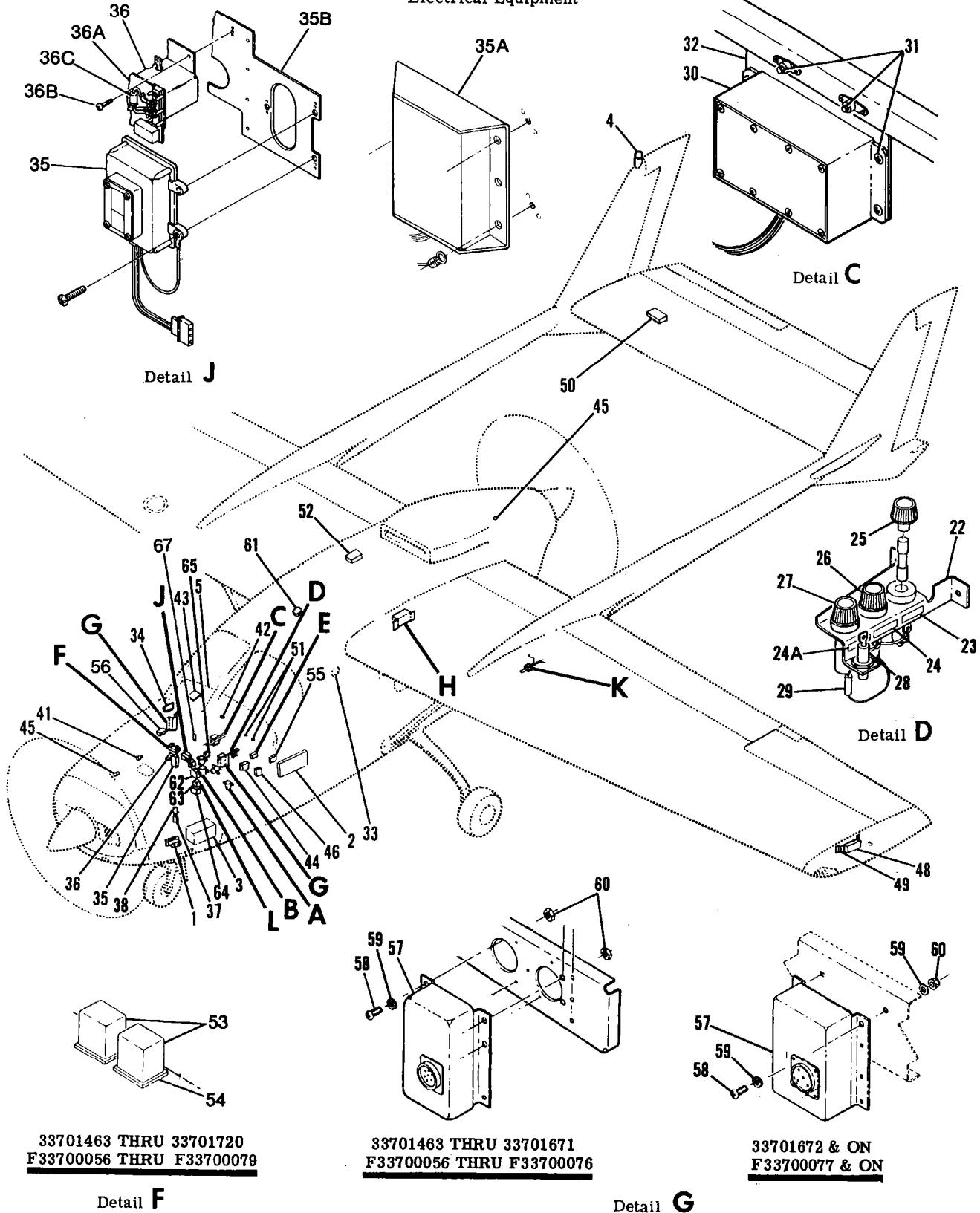


Electrical Equipment



33701463 THRU 33701720
 F33700056 THRU F33700079

Detail F

33701463 THRU 33701671
 F33700056 THRU F33700076

Detail G

33701672 & ON
 F33700077 & ON

Figure 134. (Sheet 1 of 2) Fuselage Electrical Equipment Installation