

CANCELLED

ACCESSORY

Kit

AK337-57H
FEBRUARY 24, 1975



Title CARGO PACK

MODELS AFFECTED

337
T337
F337
FT337

SERIALS AFFECTED

337-0001 thru 33701462
337-0526 thru 33701398
F33700001 thru F33700055
F33700001 thru F33700044

NOTE

1. When installing this kit in aircraft serials 337-0001 thru 337-0399 the following relocations are required:

- a. If aircraft is equipped with a Cessna crafted marker beacon, the marker beacon antenna must be relocated aft of the cargo pack. For this purpose the following items are required and may be ordered from Cessna Service Parts Center:

QTY	PART NO.	NOMENCLATURE
1	1570001-265	Cable Assembly
8	AN515-8R6	Screw
8	NAS679A08	Nut
1	CM2692-20-1S	Plug Button
1	CM2692-14-1S	Plug Button

- b. If aircraft is also equipped with Cessna crafted DME, relocation of the DME antenna is required to provide space for the marker beacon antenna. For this purpose six rivnuts, Part Number S1648A6K75 are required and may be ordered from Cessna Service Parts Center.

- c. When installing this kit, the following aircraft require the extended cowl flap rods, Part Number NAS354-4-17.70, which are included in this kit.

MODELS AFFECTED

337
T337
F337
FT337

SERIALS AFFECTED

337-0001 thru 33701462
33701194 thru 33701316
F33700001 thru F33700055
F33700001 thru F33700044

PARTS LIST:

QUANTITY	PART NUMBER	NOMENCLATURE
1	1500052-2	Cargo Pack Assembly
10	NAS1329S3K80	Rivnut
27	NAS221-13	Screw
27	AN960-10L	Washer
27	AN936B10	Washer
2	NAS354-4-17.70	Rod
1	1205023-1	Placard
4 ft	576.1	Permagum Sealer
8	NAS1329S3K130	Rivnut
2	NAS1329S3K180	Rivnut
7	NAS1329S3K230	Rivnut
1		Installation Instructions

CHANGE IN WEIGHT AND BALANCE:

WEIGHT INCREASE	33.8 pounds	(NET CHANGE)
ARM	111.6 inches	
RESULTANT MOMENT	3772.0 pound-inches	
INDEX	3.772	

CANCELLED

1. DESCRIPTION OF INSTALLATION.

a. Installation of this kit consists of:

- (1) Positioning the cargo pack, drilling attaching holes, and installing rivnuts in the lower fuselage skin.
- (2) Attaching the cargo pack to the fuselage with screws.
- (3) Removing the existing forward cowl flap actuator rods and installing new actuator rods supplied in kit.

2. INSTALLATION INSTRUCTIONS.

a. Installation of Cargo Pack Assembly. (Refer to figure 1.)

- (1) Check location of marker beacon antenna and relocate, if necessary, in accordance with figure 2 and section 2. b. of installation instructions.
- (2) If aircraft is not equipped with a cabin step, fabricate and install a cover for cabin step opening in RH side of cargo pack.
- (3) If aircraft is equipped with a cabin step, remove step (10) from strut (2) projecting through hole in seal (1).
- (4) Align center line of pack assembly (5) with center line of aircraft, and cutouts (3) with lower wing strut fittings.
- (5) While pack assembly is being held in position, place a board crosswise under pack assembly, and using a jack, support the pack assembly firmly against the lower fuselage skin.

NOTE

Before drilling holes, make sure cabin door will clear edges of recessed area in RH side of cargo pack.

- (6) When pack assembly is positioned correctly drill holes (7) through pack and fuselage skin, using pilot holes in flange of pack assembly as a guide.
- (7) Remove pack assembly and enlarge #10 holes in fuselage skin to 1/4" (.250) and cut slots as shown. (Use a rivnut key punching tool, if available.) Install rivnuts (refer to figure 3) in fuselage skin.
- (8) Paint pack assembly to match aircraft and attach to fuselage with screws and washers (7).
- (9) Reinstall step on cabin step strut.
- (10) Seal around pack as required to prevent water from leaking in around fuselage.
- (11) (Refer to note on page 1) Remove existing forward cowl flap actuator rods and install new actuator rods (8). Set the front cowl flaps 1.75 open with the front cowl flap indicator in the "CLOSED" position, the openings are measured at the cowl flap trailing edge, perpendicular to the cowl flap contour.

CANCELLED

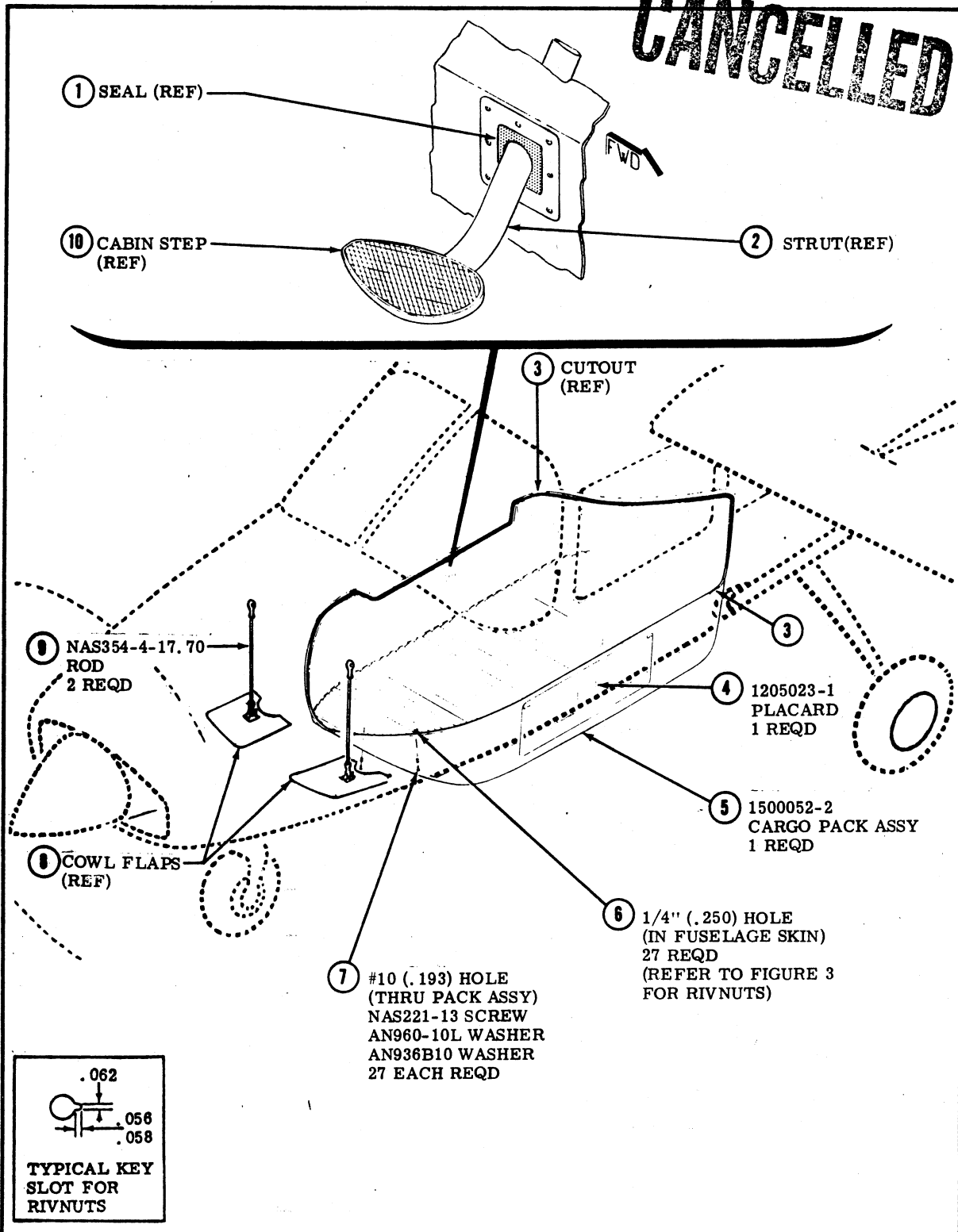


Figure 1. Cargo Pack Installed

CANCELLED

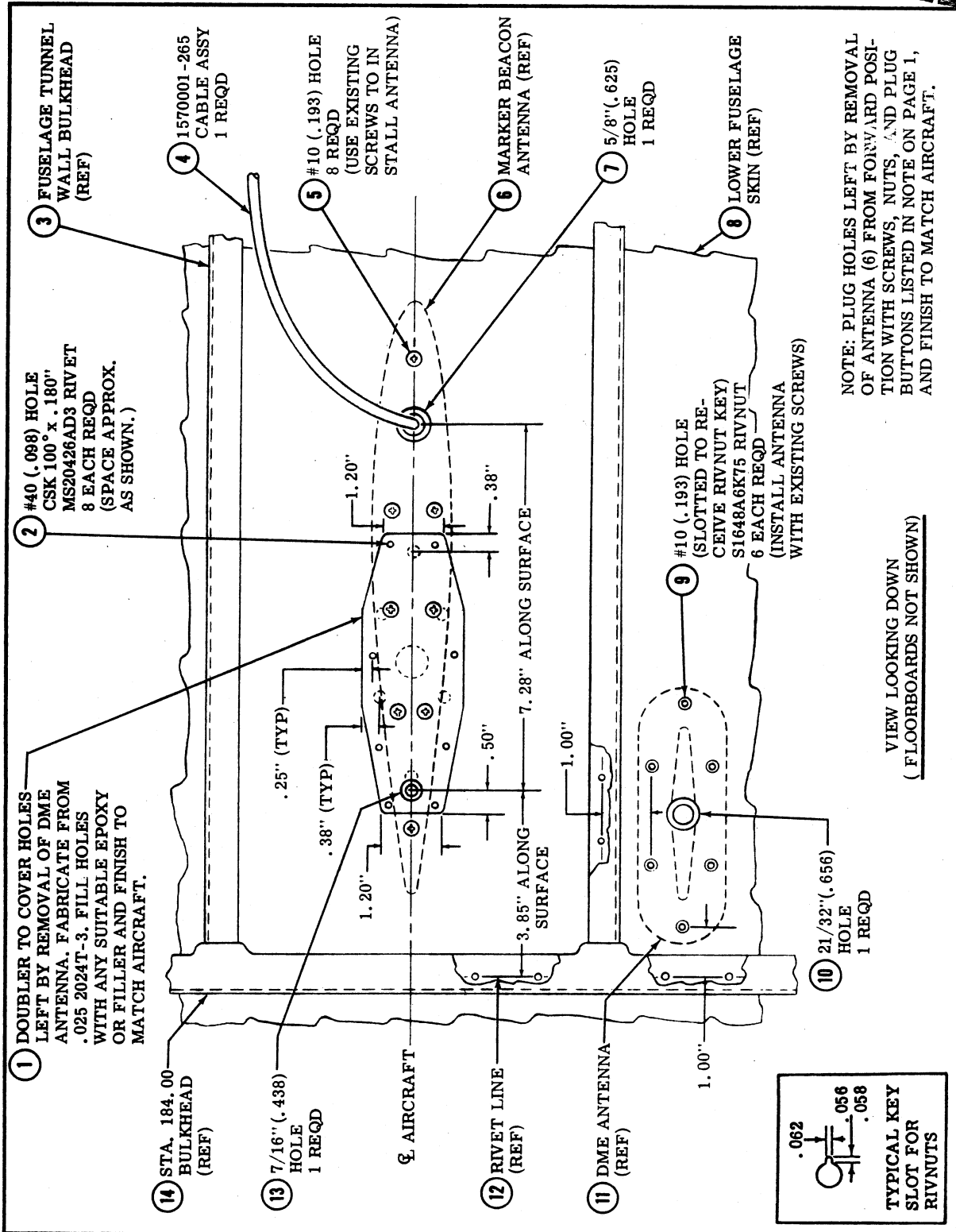


Figure 2. Antenna Relocation

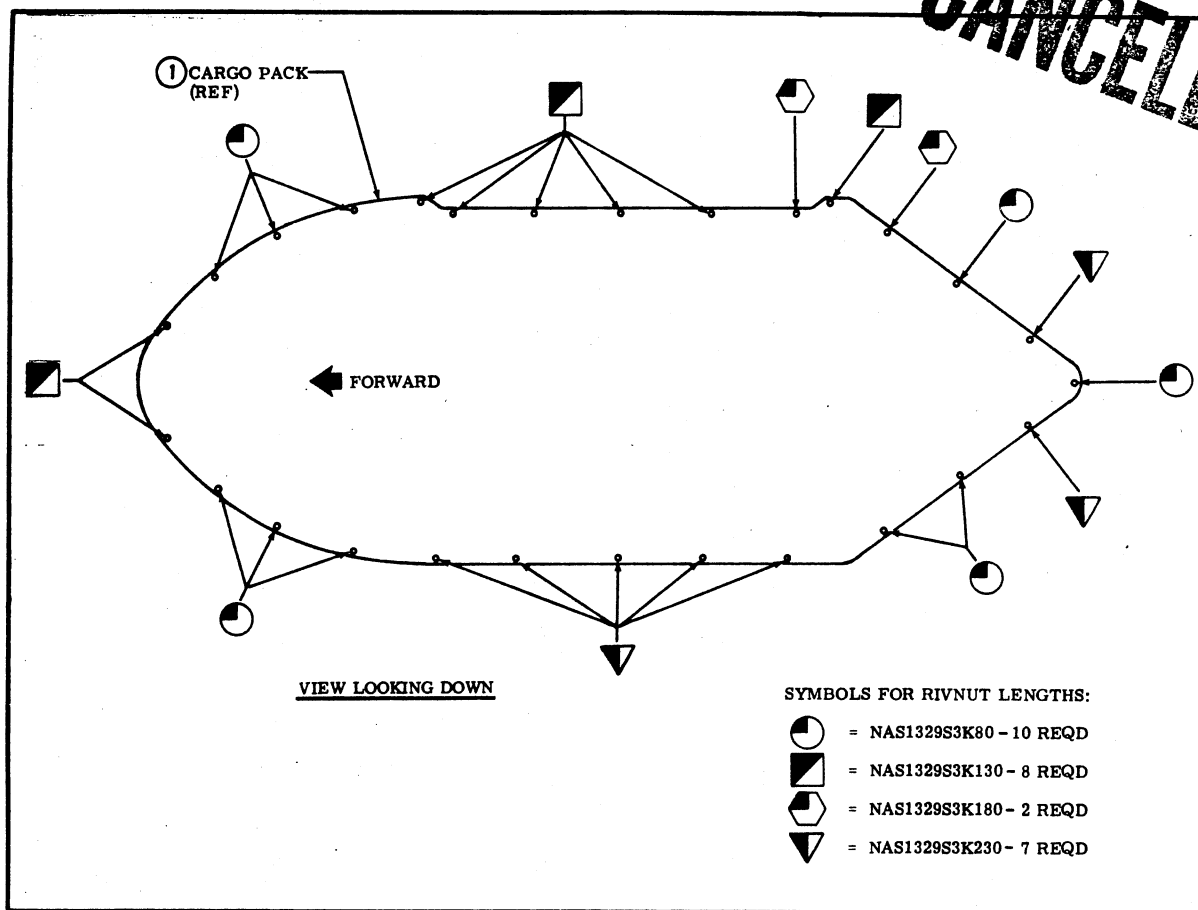
CANCELLED

Figure 3. Rivnut Installation

b. Radio Antenna Relocation. (Refer to figure 2.)

NOTE

This section applies only to aircraft serials 337-0001 thru 337-0399 which are equipped with Marker Beacon.

- (1) Remove carpets and access covers from floorboards as necessary to gain access to working area.
- (2) Remove antenna (6) and retain for reinstallation.
- (3) Install screws, nuts, and plug buttons in holes left in lower fuselage skin by removal of antenna.
- (4) If aircraft is equipped with DME antenna, remove antenna (11) and existing rivnuts. Reposition antenna as shown, drill holes and install rivnuts (9) and reinstall antenna, using existing screws. Reconnect DME antenna cable.
- (5) Fabricate and install doubler (1) as shown.
- (6) Drill holes (5), (7) & (13) through skin (8) and doubler (1) and install antenna (6), using existing screws.
- (7) Remove existing marker beacon antenna cable, install cable assembly (4) and secure with harness bands as necessary.